



**Cisco**

## **Exam Questions 200-301**

Cisco Certified Network Associate

**NEW QUESTION 1**

Which design element is a best practice when deploying an 802.11b wireless infrastructure?

- A. disabling TPC so that access points can negotiate signal levels with their attached wireless devices.
- B. setting the maximum data rate to 54 Mbps on the Cisco Wireless LAN Controller
- C. allocating nonoverlapping channels to access points that are in close physical proximity to one another
- D. configuring access points to provide clients with a maximum of 5 Mbps

**Answer: C**

**NEW QUESTION 2**

When configuring IPv6 on an interface, which two IPv6 multicast groups are joined? (Choose two)

- A. 2000::/3
- B. 2002::5
- C. FC00::/7
- D. FF02::1
- E. FF02::2

**Answer: DE**

**NEW QUESTION 3**

Which command prevents passwords from being stored in the configuration as plain text on a router or switch?

- A. enable secret
- B. service password-encryption
- C. username Cisco password encrypt
- D. enable password

**Answer: B**

**NEW QUESTION 4**

What are two southbound APIs? (Choose two )

- A. OpenFlow
- B. NETCONF
- C. Thrift
- D. CORBA
- E. DSC

**Answer: CD**

**NEW QUESTION 5**

netmask	must be unique
OSPF process ID	
router ID	must match
IP address	
area ID	
timers	

- A. Mastered
- B. Not Mastered

**Answer: A**

**Explanation:**



**NEW QUESTION 6**

Which type of wireless encryption is used for WPA2 in preshared key mode?

- A. TKIP with RC4
- B. RC4
- C. AES-128
- D. AES-256

**Answer:** D

**NEW QUESTION 7**

Which two must be met before SSH can operate normally on a Cisco IOS switch? (Choose two)

- A. The switch must be running a k9 (crypto) IOS image
- B. The Ip domain-name command must be configured on the switch
- C. IP routing must be enabled on the switch
- D. A console password must be configured on the switch
- E. Telnet must be disabled on the switch

**Answer:** BC

**NEW QUESTION 8**

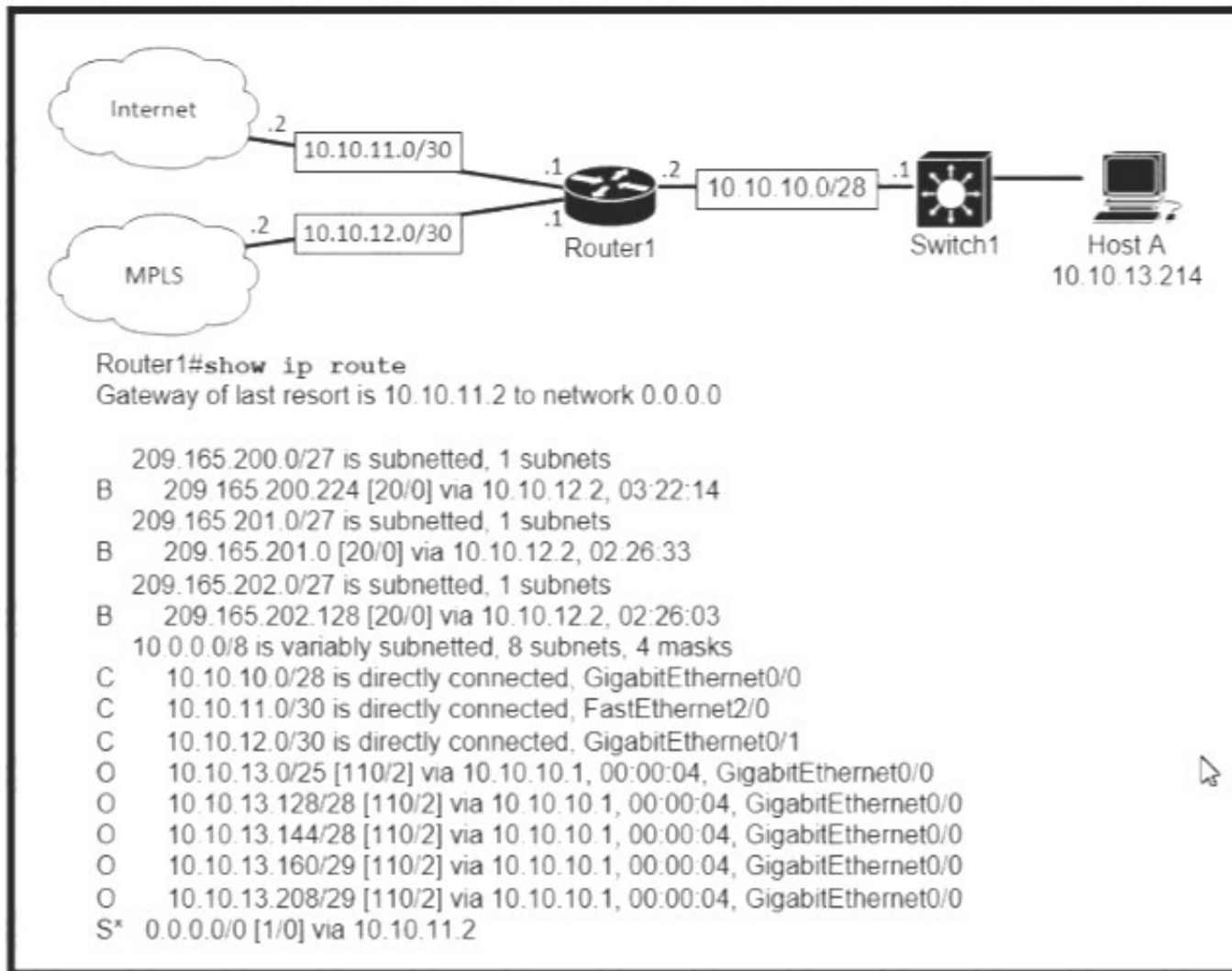
Which type of address is the public IP address of a NAT device?

- A. outside global
- B. outsdwde local
- C. inside global
- D. inside local
- E. outside public
- F. inside public

**Answer:** C

**NEW QUESTION 9**

Refer to the exhibit.



Which prefix does Router 1 use for traffic to Host A?

- A. 10.10.10.0/28
- B. 10.10.13.0/25
- C. 10.10.13.144/28
- D. 10.10.13.208/29

**Answer: C**

**NEW QUESTION 10**

How does HSRP provide first hop redundancy?

- A. It load-balances traffic by assigning the same metric value to more than one route to the same destination in the IP routing table.
- B. It load-balances Layer 2 traffic along the path by flooding traffic out all interfaces configured with the same VLAN.
- C. It forwards multiple packets to the same destination over different routed links in the data path
- D. It uses a shared virtual IP address and a virtual MAC address to a group of routers that serve as the default gateway for hosts on a LAN

**Answer: C**

**NEW QUESTION 10**

A frame that enters a switch fails the Frame Check Sequence. Which two interface counters are incremented? (Choose two)

- A. runs
- B. giants
- C. frame
- D. CRC
- E. input errors

**Answer: DE**

**NEW QUESTION 11**

How do TCP and UDP differ in the way that they establish a connection between two endpoints?

- A. TCP uses synchronization packets, and UDP uses acknowledgment packets.
- B. UDP uses SYN, SYN ACK and FIN bits in the frame header while TCP uses SYN, SYN ACK and ACK bits
- C. UDP provides reliable message transfer and TCP is a connectionless protocol
- D. TCP uses the three-way handshake and UDP does not guarantee message delivery

**Answer: D**

**NEW QUESTION 16**

What is the primary different between AAA authentication and authorization?

- A. Authentication verifies a username and password, and authorization handles the communication between the authentication agent and the user database.
- B. Authentication identifies a user who is attempting to access a system, and authorization validates the users password
- C. Authentication identifies and verifies a user who is attempting to access a system, and authorization controls the tasks the user can perform.
- D. Authentication controls the system processes a user can access and authorization logs the activities the user initiates

Answer: C

**NEW QUESTION 18**

What are two characteristics of a controller-based network? (Choose two)

- A. The administrator can make configuration updates from the CLI
- B. It uses northbound and southbound APIs to communicate between architectural layers
- C. It moves the control plane to a central point.
- D. It decentralizes the control plane, which allows each device to make its own forwarding decisions
- E. It uses Telnet to report system issues.

Answer: AC

**NEW QUESTION 23**

Which attribute does a router use to select the best path when two or more different routes to the same destination exist from two different routing protocols.

- A. dual algorithm
- B. metric
- C. administrative distance
- D. hop count

Answer: D

**NEW QUESTION 25**

Refer to Exhibit.

```
SW2
vtp domain cisco
vtp mode transparent
vtp password ciscotest
interface fastethernet0/1
description connection to sw1
switchport mode trunk
switchport trunk encapsulation dot1q
```

How does SW2 interact with other switches in this VTP domain?

- A. It processes VTP updates from any VTP clients on the network on its access ports.
- B. It receives updates from all VTP servers and forwards all locally configured VLANs out all trunk ports
- C. It forwards only the VTP advertisements that it receives on its trunk ports.
- D. It transmits and processes VTP updates from any VTP Clients on the network on its trunk ports

Answer: C

**NEW QUESTION 30**

Which unified access point mode continues to serve wireless clients after losing connectivity to the Cisco Wireless LAN Controller?

- A. sniffer
- B. mesh
- C. flexconnect
- D. local

Answer: B

**NEW QUESTION 32**

Drag and drop the Cisco Wireless LAN Controller security settings from the left onto the correct security mechanism categories on the right.

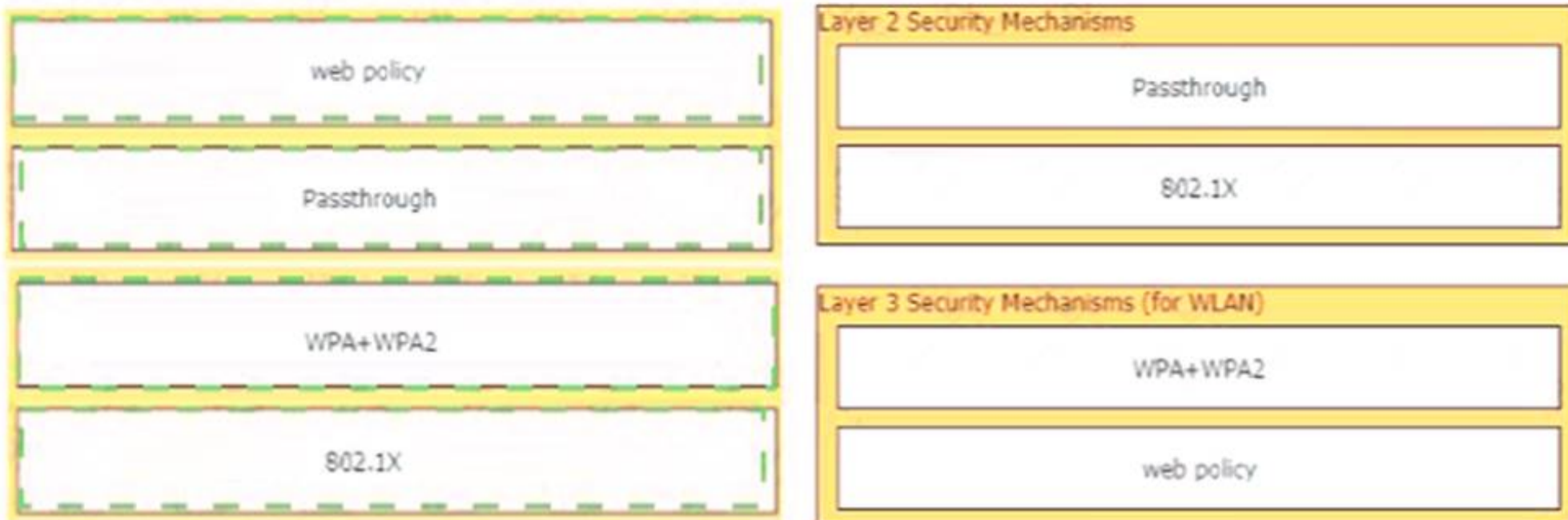
web policy	<b>Layer 2 Security Mechanisms</b>
Passthrough	
WPA+WPA2	<b>Layer 3 Security Mechanisms (for WLAN)</b>
802.1X	

A. Mastered

B. Not Mastered

Answer: A

Explanation:



**NEW QUESTION 33**

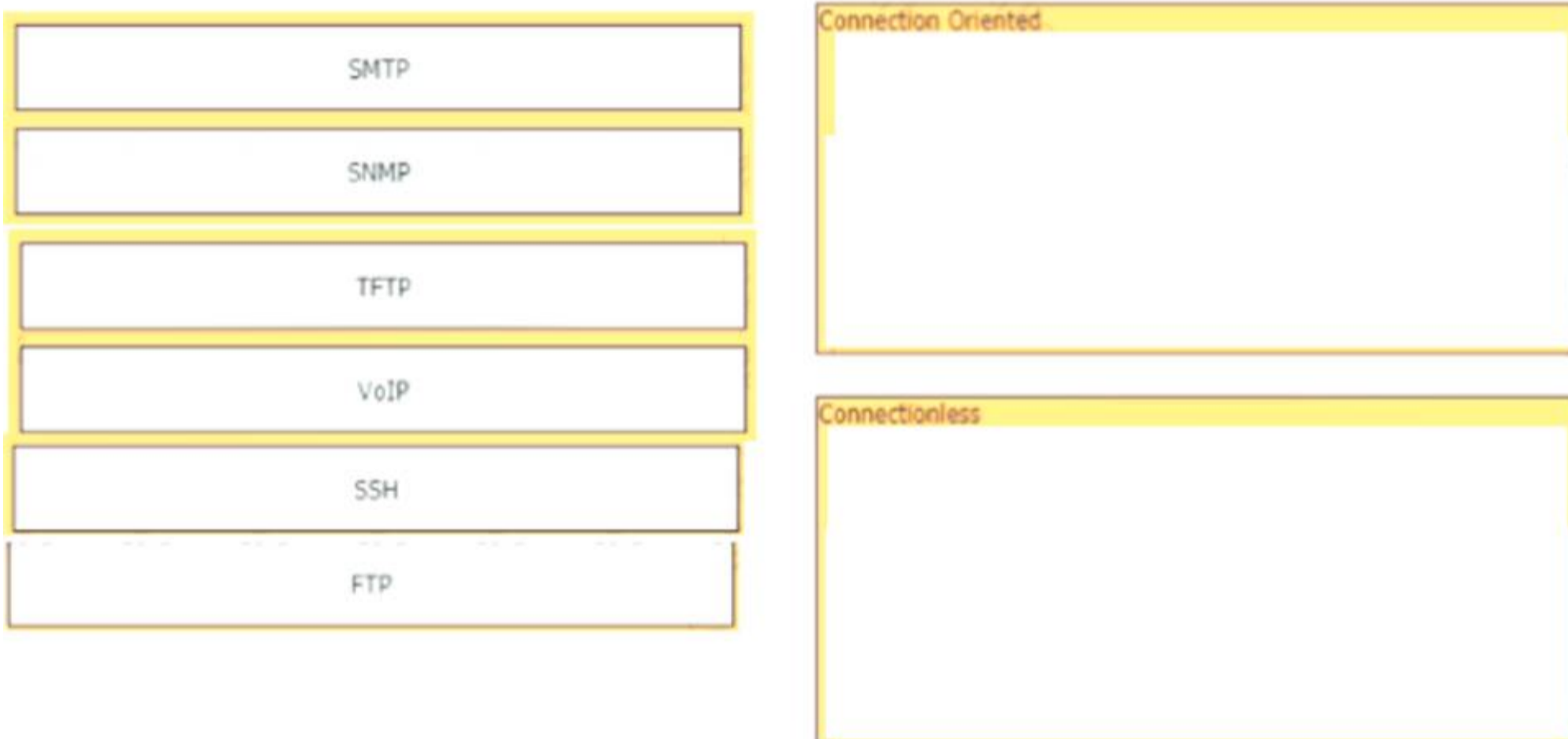
What are two reasons that cause late collisions to increment on an Ethernet interface? (Choose two)

- A. when the sending device waits 15 seconds before sending the frame again
- B. when the cable length limits are exceeded
- C. when one side of the connection is configured for half-duplex
- D. when Carrier Sense Multiple Access/Collision Detection is used
- E. when a collision occurs after the 32nd byte of a frame has been transmitted

Answer: CE

**NEW QUESTION 34**

Drag and drop the network protocols from the left onto the correct transport services on the right.



A. Mastered  
 B. Not Mastered

Answer: A

Explanation:



**NEW QUESTION 39**

What is the default behavior of a Layer 2 switch when a frame with an unknown destination MAC address is received?

- A. The Layer 2 switch drops the received frame
- B. The Layer 2 switch floods packets to all ports except the receiving port in the given VLAN.
- C. The Layer 2 switch sends a copy of a packet to CPU for destination MAC address learning.
- D. The Layer 2 switch forwards the packet and adds the destination MAC address to its MAC address table

**Answer: B**

**NEW QUESTION 43**

Refer to the exhibit.

```
ip arp inspection vlan 5-10
interface fastethernet 0/1
 switchport mode access
 switchport access vlan 5
```

What is the effect of this configuration?

- A. All ARP packets are dropped by the switch
- B. Egress traffic is passed only if the destination is a DHCP server.
- C. All ingress and egress traffic is dropped because the interface is untrusted
- D. The switch discard all ingress ARP traffic with invalid MAC-to-IP address bindings.

**Answer: D**

**NEW QUESTION 47**

Refer to the exhibit.

```
R2#show ip nat translations
Pro Inside global      Inside local  Outside local  Outside global
tcp 172.23.104.3:43268  10.4.4.4:43268 172.23.103.10:23 172.23.103.10:23
tcp 172.23.104.4:45507  10.4.4.5:45507 172.23.103.10:80 172.23.103.10:80
```

An engineer configured NAT translations and has verified that the configuration is correct. Which IP address is the source IP?

- A. 10.4.4.4
- B. 10.4.4.5
- C. 172.23.103.10
- D. 172.23.104.4

**Answer: C**

**NEW QUESTION 51**

Refer to the exhibit.

```
R1# show ip route
D    192.168.16.0/26 [90/2679326] via 192.168.1.1
R    192.168.16.0/24 [120/3] via 192.168.1.2
O    192.168.16.0/21 [110/2] via 192.168.1.3
i L1 192.168.16.0/27 [115/30] via 192.168.1.4
```

Which route does R1 select for traffic that is destined to 192.168.16.2?

- A. A.-192.168.16.0/21
- B. 192.168.16.0/24
- C. 192.168.16.0/26
- D. 192.168.16.0/27

**Answer: B**

**NEW QUESTION 56**

Drag and drop the AAA functions from the left onto the correct AAA services on the right

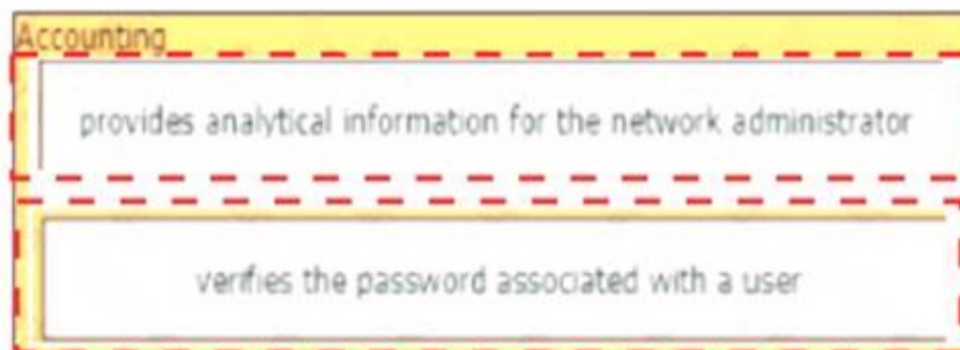
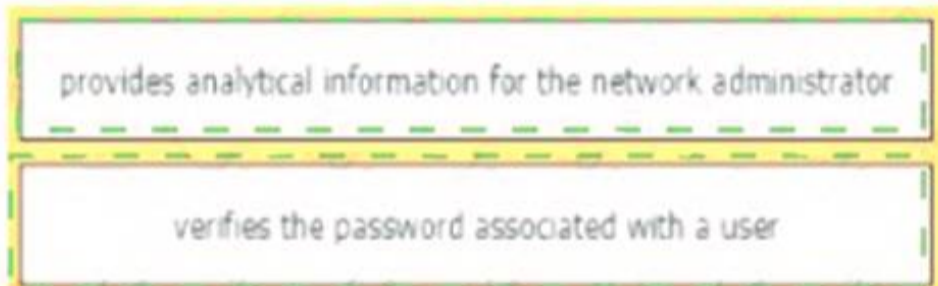
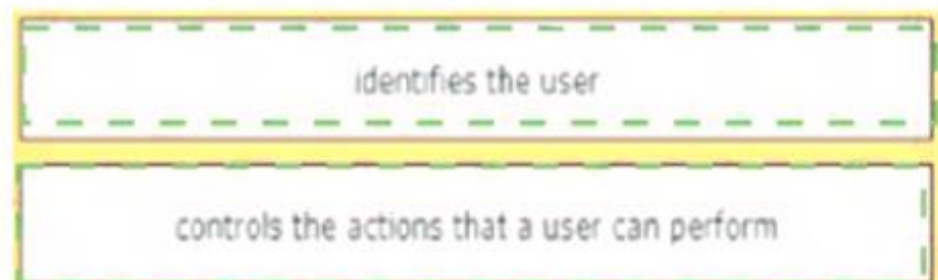
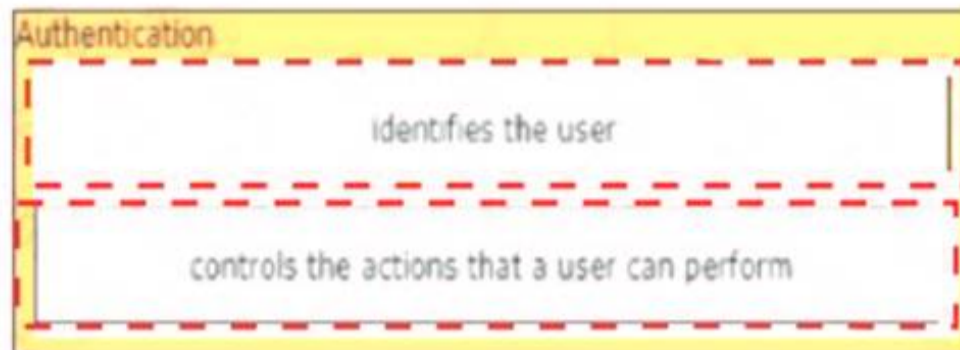
<div style="border: 1px solid black; padding: 5px; margin-bottom: 5px; text-align: center;">records user activities</div> <div style="border: 1px solid black; padding: 5px; margin-bottom: 5px; text-align: center;">restricts the services that are available to a user</div>	<div style="border: 1px solid black; padding: 5px; background-color: #ffffcc;">Authentication</div>
<div style="border: 1px solid black; padding: 5px; margin-bottom: 5px; text-align: center;">identifies the user</div> <div style="border: 1px solid black; padding: 5px; margin-bottom: 5px; text-align: center;">controls the actions that a user can perform</div>	<div style="border: 1px solid black; padding: 5px; background-color: #ffffcc;">Authorization</div>
<div style="border: 1px solid black; padding: 5px; margin-bottom: 5px; text-align: center;">provides analytical information for the network administrator</div> <div style="border: 1px solid black; padding: 5px; margin-bottom: 5px; text-align: center;">verifies the password associated with a user</div>	<div style="border: 1px solid black; padding: 5px; background-color: #ffffcc;">Accounting</div>

- A. Mastered
- B. Not Mastered

**Answer: A**

**Explanation:**





**NEW QUESTION 60**

Which two values or settings must be entered when configuring a new WLAN in the Cisco Wireless LAN Controller GUI? (Choose two)

- A. management interface settings
- B. QoS settings
- C. Ip address of one or more access points
- D. SSID
- E. Profile name

**Answer:** DE

**NEW QUESTION 63**

Which two actions influence the EIGRP route selection process? (Choose two)

- A. The router calculates the reported distance by multiplying the delay on the exiting Interface by 256.
- B. The router calculates the best backup path to the destination route and assigns it as the feasible successor.
- C. The router calculates the feasible distance of all paths to the destination route
- D. The advertised distance is calculated by a downstream neighbor to inform the local router of the bandwidth on the link
- E. The router must use the advertised distance as the metric for any given route

**Answer:** AD

**NEW QUESTION 66**

Refer to the exhibit.

```

Designated Router (ID) 10.11.11.11, Interface address 10.10.10.1
Backup Designated router (ID) 10.3.3.3, Interface address 10.10.10.3
Timer intervals configured, Hello 10, Dead 40, Wait 40, Retransmit 5
oob-resync timeout 40
Hello due in 00:00:08
Supports Link-local Signaling (LLS)
Cisco NSF helper support enabled
IETF NSF helper support enabled
Index 1/1/1, flood queue length 0
Next 0x0(0)/0x0(0)/0x0(0)
Last flood scan length is 1, maximum is 6
Last flood scan time is 0 msec, maximum is 1 msec
Neighbor Count is 3, Adjacent neighbor count is 3
Adjacent with neighbor 10.1.1.4
Adjacent with neighbor 10.2.2.2
Adjacent with neighbor 10.3.3.3 (Backup Designated Router)
Suppress hello for 0 neighbor(s)
    
```

The show ip ospf interface command has been executed on R1 How is OSPF configured?

- A. The interface is not participating in OSPF
- B. A point-to-point network type is configured
- C. The default Hello and Dead timers are in use
- D. There are six OSPF neighbors on this interface

**Answer:** A

#### NEW QUESTION 67

An engineer is asked to protect unused ports that are configured in the default VLAN on a switch. Which two steps will fulfill the request? (Choose two)

- A. Configure the ports in an EtherChannel.
- B. Administratively shut down the ports
- C. Configure the port type as access and place in VLAN 99
- D. Configure the ports as trunk ports
- E. Enable the Cisco Discovery Protocol

**Answer:** AD

#### NEW QUESTION 68

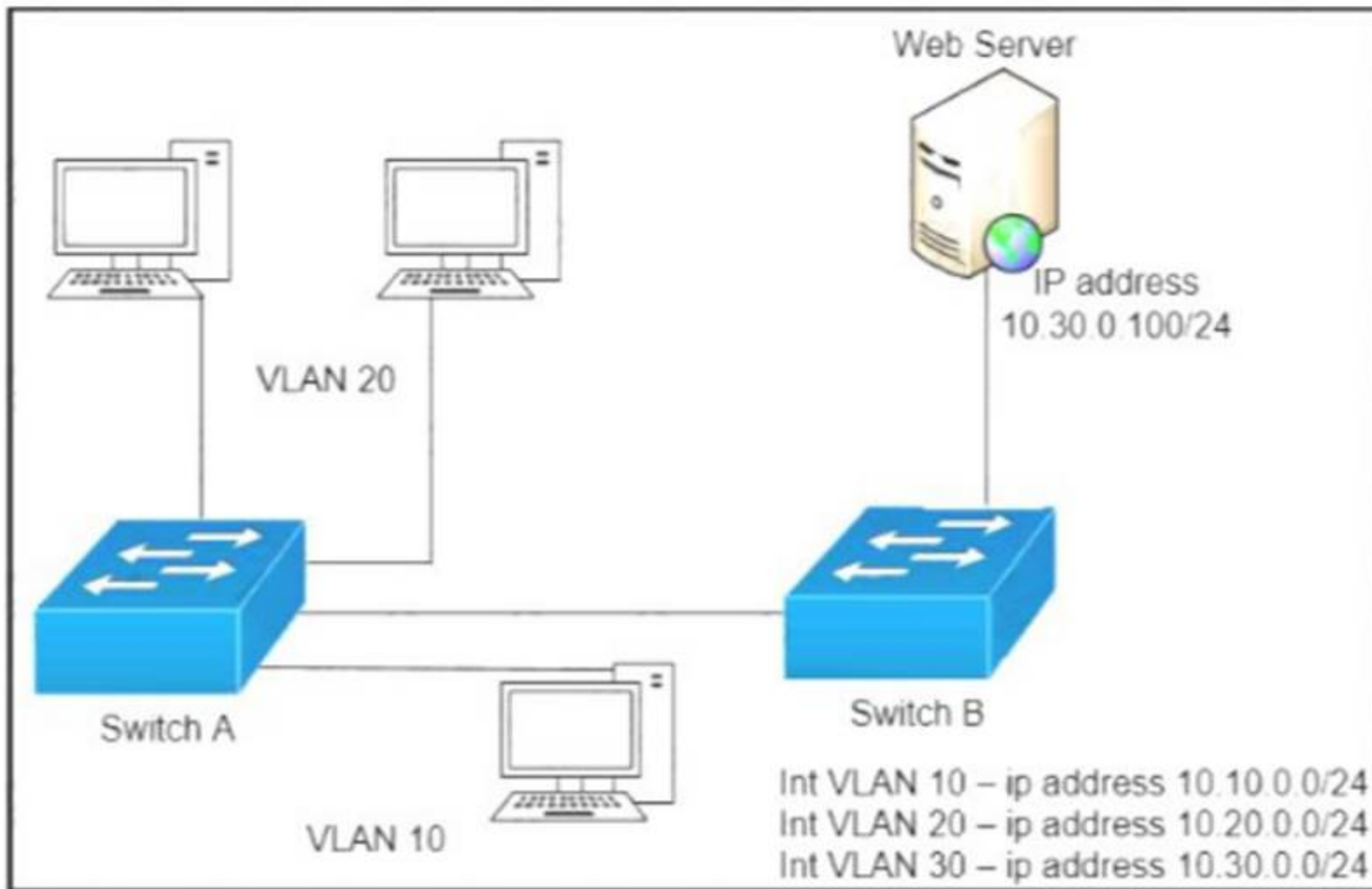
Which QoS Profile is selected in the GUI when configuring a voice over WLAN deployment?

- A. Bronze
- B. Platinum
- C. Silver
- D. Gold

**Answer:** B

#### NEW QUESTION 73

Refer to the exhibit.



A network engineer must block access for all computers on VLAN 20 to the web server via HTTP. All other computers must be able to access the web server. Which configuration when applied to switch A accomplishes this task?

- ```
config t
ip access-list extended wwwblock
deny tcp any host 10.30.0.100 eq 80
int vlan 10
ip access-group wwwblock in
```
- ```
config t
ip access-list extended wwwblock
deny tcp any host 10.30.0.100 eq 80
permit ip any any
int vlan 20
ip access-group wwwblock in
```
- ```
config t
ip access-list extended wwwblock
permit ip any any
deny tcp any host 10.30.0.100 eq 80
int vlan 30
ip access-group wwwblock in
```
- ```
config t
ip access-list extended wwwblock
permit ip any any
deny tcp any host 10.30.0.100 eq 80
int vlan 20
ip access-group wwwblock in
```

- A. Option A
- B. Option B
- C. Option C
- D. Option D

Answer: B

**NEW QUESTION 76**

Which feature on the Cisco Wireless LAN Controller when enabled restricts management access from specific networks?

- A. CPUACL
- B. TACACS
- C. Flex ACL
- D. RADIUS

Answer: B

**NEW QUESTION 77**  
 Refer to the exhibit.

```
SW1#sh lacp neighbor
Flags: S - Device is requesting Slow LACPDUs
      F - Device is requesting Fast LACPDUs
      A - Device is in Active mode          P - Device is in Passive mode

Channel group 35 neighbors

Partner's information:
```

Port	Flags	LACP port Priority	Dev ID	Age	Admin key	Oper Key	Port Number	Port State
Et1/0	SP	32768	aabb.cc80.7000	8s	0x0	0x23	0x101	0x3C
Et1/1	SP	32768	aabb.cc80.7000	8s	0x0	0x23	0x102	0x3C

Based on the LACP neighbor status, in which mode is the SW1 port channel configured?

- A. passive
- B. mode on
- C. auto
- D. active

**Answer: A**

**NEW QUESTION 81**

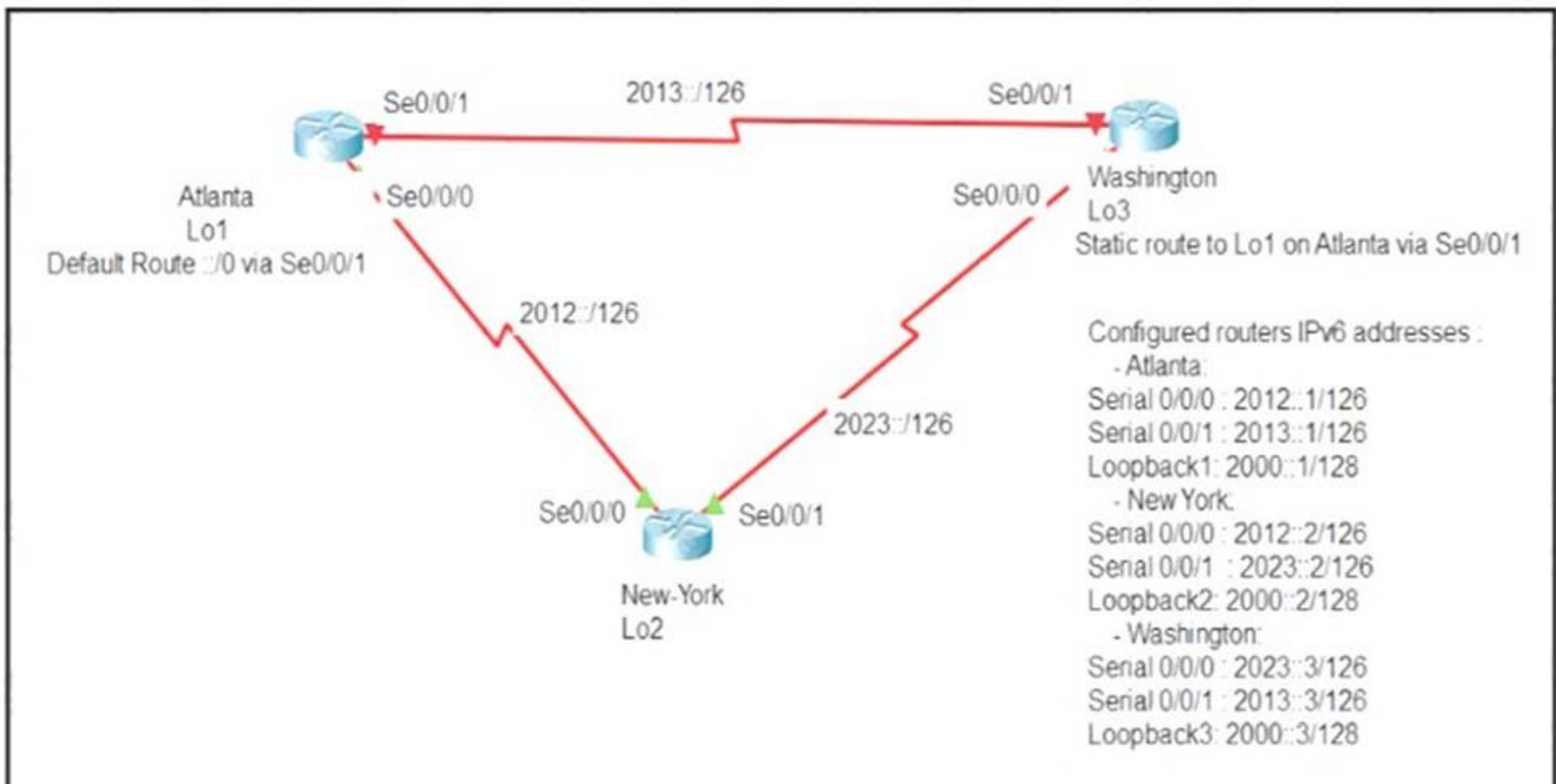
Which mode allows access points to be managed by Cisco Wireless LAN Controllers?

- A. autonomous
- B. lightweight
- C. bridge
- D. mobility express

**Answer: B**

**NEW QUESTION 84**

Refer to Exhibit.



An engineer is configuring the NEW York router to reach the Lo1 interface of the Atlanta router using interface Se0/0/0 as the primary path. Which two commands must be configured on the New York router so that it can reach the Lo1 interface of the Atlanta router via Washington when the link between New York and Atlanta goes down? (Choose two)

- A. ipv6 router 2000::1/128 2012::1
- B. ipv6 router 2000::1/128 2012::1 5
- C. ipv6 router 2000::1/128 2012::2
- D. ipv6 router 2000::1/128 2023::2 5
- E. ipv6 router 2000::1/128 2023::3 5

**Answer:** DE

**NEW QUESTION 89**

Refer to the exhibit.

Router#						
Capability Codes: R - Router, T - Trans Bridge, B - Source Route Bridge						
S - Switch, H - Host, I - IGMP, r - Repeater, P - Phone,						
D - Remote, C - CVTA, M - Two-port Mac Relay						
Device ID	Local Infrfce	Holdtme	Capability	Platform	Port ID	
10.1.1.2	Gig 37/3	176	R I	CPT 600	Gig 36/41	
10.1.1.2	Gig 37/1	174	R I	CPT 600	Gig 36/43	
10.1.1.2	Gig 36/41	134	R I	CPT 600	Gig 37/3	
10.1.1.2	Gig 36/43	134	R I	CPT 600	Gig 37/1	
10.1.1.2	Ten 3/2	132	R I	CPT 600	Ten 4/2	
10.1.1.2	Ten 4/2	174	R I	CPT 600	Ten 3/2	

Which command provides this output?

- A. show ip route
- B. show ip interface
- C. show interface
- D. show cdp neighbor

**Answer:** D

**NEW QUESTION 93**

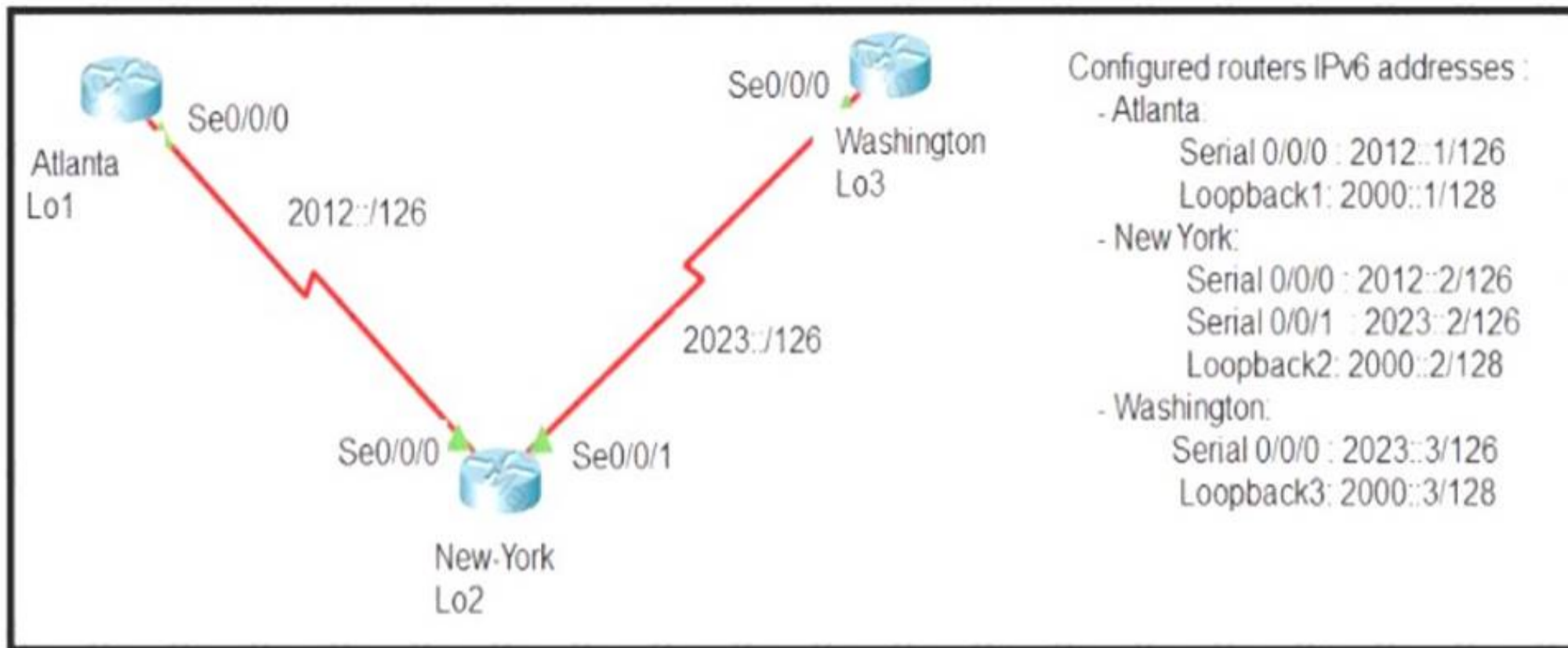
Which two tasks must be performed to configure NTP to a trusted server in client mode on a single network device? (Choose two)

- A. Enable NTP authentication.
- B. Verify the time zone.
- C. Disable NTP broadcasts
- D. Specify the IP address of the NTP server
- E. Set the NTP server private key

**Answer:** DE

**NEW QUESTION 96**

Refer to the exhibit.



The New York router is configured with static routes pointing to the Atlanta and Washington sites. Which two tasks must be performed so that the Serial0/0/0 interfaces on the Atlanta and Washington routers can reach one another? (Choose two.)

- A. Configure the ipv6 route 2012::/126 2023::1 command on the Washington router
- B. Configure the ipv6 route 2023::/126 2012::1 command on the Atlanta router.
- C. Configure the Ipv6 route 2012::/126 s0/0/0 command on the Atlanta router
- D. Configure the ipv6 route 2023::/126 2012::2 command on the Atlanta router
- E. Configure the ipv6 route 2012::/126 2023::2 command on the Washington router

Answer: CE

**NEW QUESTION 100**

Refer to the exhibit.

```
R1#show ip interface brief
Interface                IP-Address      OK? Method Status      Protocol
FastEthernet0/0          unassigned      YES NVRAM    administratively down  down
GigabitEthernet1/0       192.168.0.1     YES NVRAM    up          up
GigabitEthernet2/0       10.10.1.10      YES manual  up          up
GigabitEthernet3/0       10.10.10.20     YES manual  up          up
GigabitEthernet4/0       unassigned      YES NVRAM    administratively down  down
Loopback0                172.16.15.10    YES manual
```

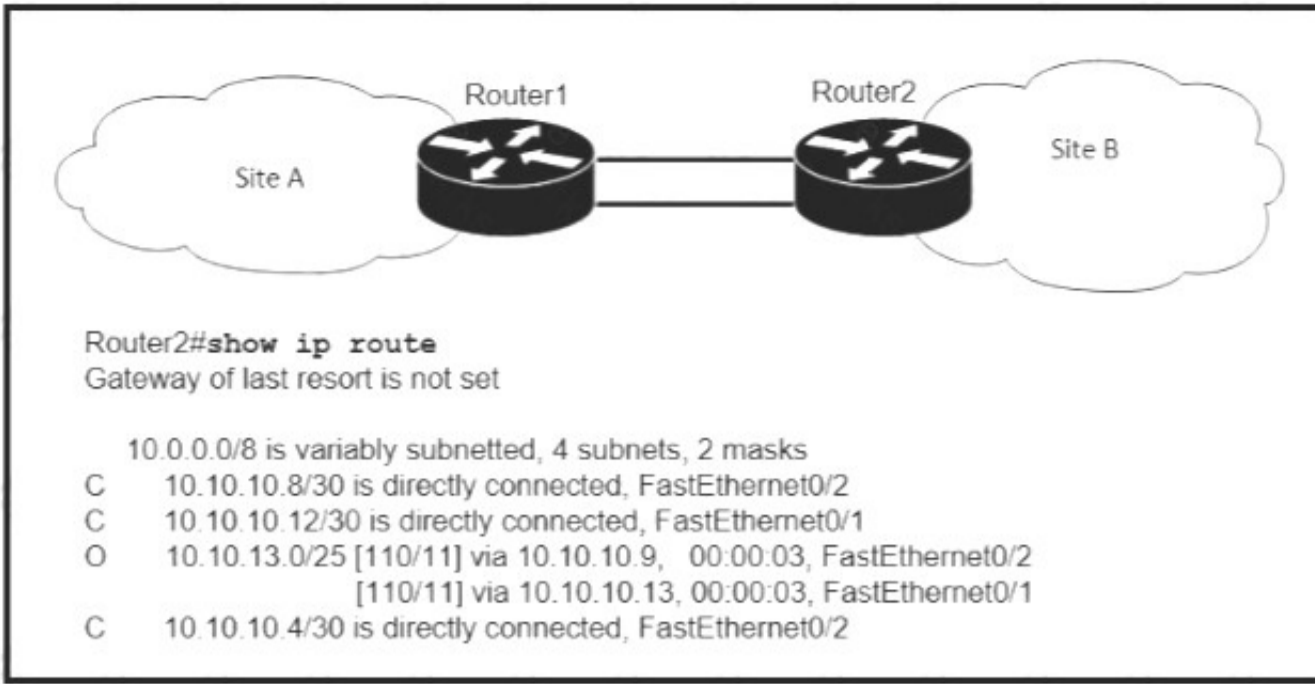
What does router R1 use as its OSPF router-ID?

- A. 10.10.1.10
- B. 10.10.10.20
- C. 172.16.15.10
- D. 192.168.0.1

Answer: B

**NEW QUESTION 104**

Refer to the exhibit.



If OSPF is running on this network, how does Router 2 handle traffic from Site B to 10.10.13/25 at Site A?

- A. It sends packets out of interface Fa0/2 only.
- B. It sends packets out of interface Fa0/1 only.
- C. It cannot send packets to 10.10.13 128/25
- D. It load-balances traffic out of Fa0/1 and Fa0/2

Answer: D

**NEW QUESTION 105**

When a site-to-site VPN is used, which protocol is responsible for the transport of user data?

- A. IKEv2
- B. IKEv1
- C. IPsec
- D. MD5

Answer: C

**NEW QUESTION 108**

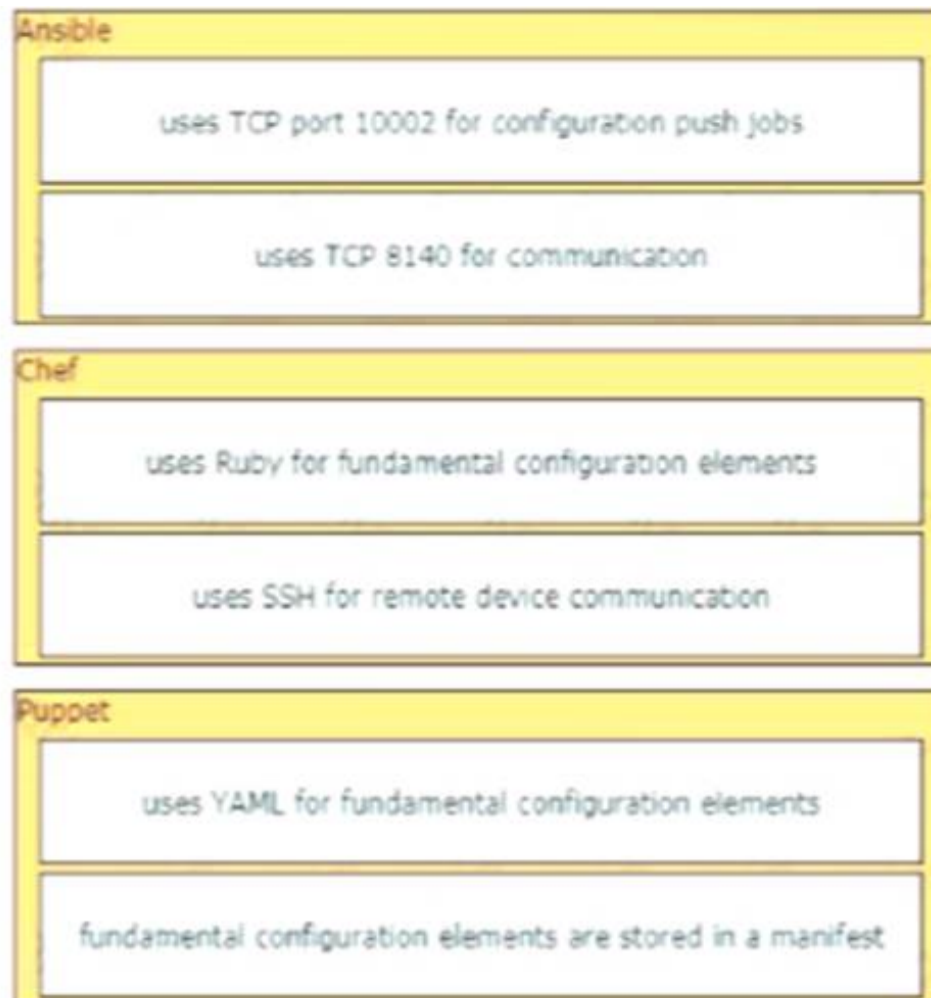
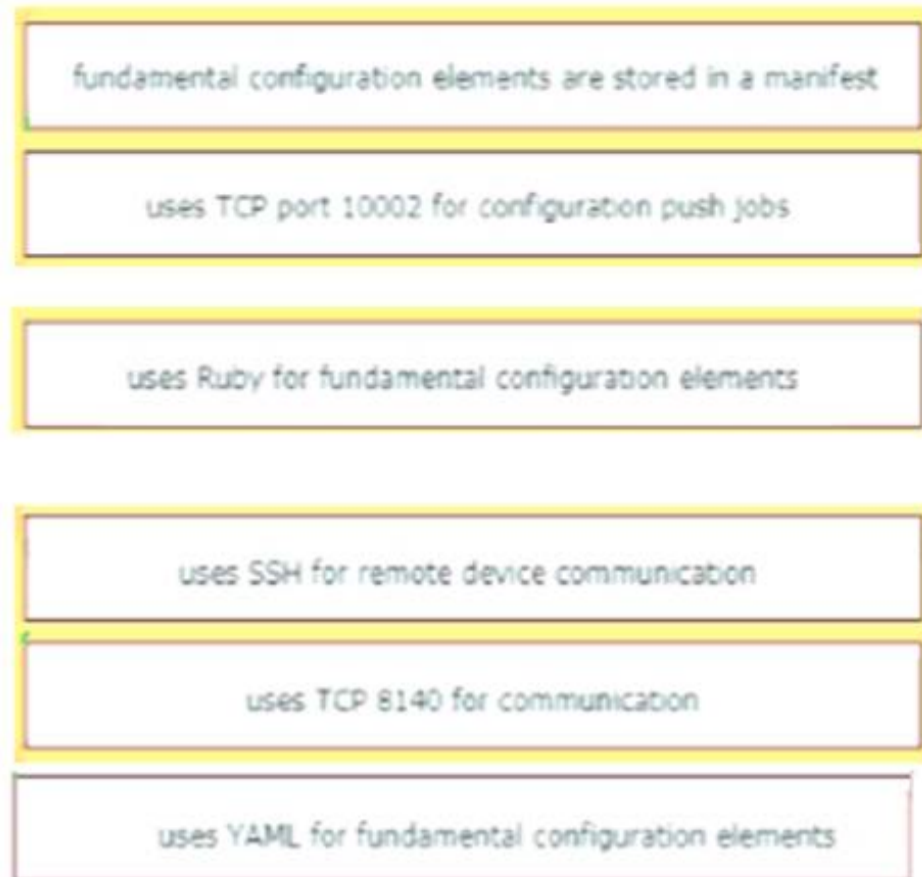
Drag drop the descriptions from the left onto the correct configuration-management technologies on the right.

fundamental configuration elements are stored in a manifest	<b>Ansible</b>
uses TCP port 10002 for configuration push jobs	
uses Ruby for fundamental configuration elements	<b>Chef</b>
uses SSH for remote device communication	
uses TCP 8140 for communication	<b>Puppet</b>
uses YAML for fundamental configuration elements	

- A. Mastered
- B. Not Mastered

Answer: A

Explanation:



**NEW QUESTION 111**

Which mode must be used to configure EtherChannel between two switches without using a negotiation protocol?

- A. on
- B. auto
- C. active
- D. desirable

**Answer: D**

**NEW QUESTION 116**

A router running EIGRP has learned the same route from two different paths Which parameter does the router use to select the best path?

- A. cost
- B. administrative distance
- C. metric
- D. as-path

**Answer: C**

**NEW QUESTION 119**

R1 has learned route 192.168.12.0/24 via IS-IS, OSPF, RIP, and Internal EIGRP Under normal operating conditions, which routing protocol is installed in the routing table?

- A. IS-IS
- B. RIP
- C. Internal EIGRP
- D. OSPF

**Answer: C**

**NEW QUESTION 124**

If a notice-level messaging is sent to a syslog server, which event has occurred?

- A. A network device has restarted
- B. An ARP inspection has failed
- C. A routing instance has flapped
- D. A debug operation is running

**Answer: A**

**NEW QUESTION 128**

Refer to the exhibit.



```
R1# show ip route | begin gateway
Gateway of last resort is 209.165.200.246 to network 0.0.0.0
S* 0.0.0.0/0 [1/0] via 209.165.200.246, Serial0/1/0
  is directly connected, Serial0/1/0
  172.16.0.0/16 is variably subnetted, 3 subnets, 3 masks
S 172.16.0.0/24 [1/0] via 207.165.200.250, Serial0/0/0
O 172.16.0.128/25 [110/38443] via 207.165.200.254, 00:00:23, Serial0/0/1
D 172.16.0.192/29 [90/3184439] via 207.165.200.254, 00:00:25, Serial0/0/1
  209.165.200.0/24 is variably subnetted, 4 subnets, 2 masks
C 209.165.200.248/30 is directly connected, Serial0/0/0
L 209.165.200.249/32 is directly connected, Serial0/0/0
C 209.165.200.252/30 is directly connected, Serial0/0/1
L 209.165.200.253/32 is directly connected, Serial0/0/1
```

With which metric was the route to host 172.16.0.202 learned?

- A. 110
- B. 38443
- C. 3184439

Answer: C

**NEW QUESTION 129**

Drag and drop the WLAN components from the left onto the correct descriptions on the right.

access point

virtual interface

dynamic interface

service port

wireless LAN controller

- A. Mastered
- B. Not Mastered

Answer: A

**Explanation:**

- 5:1
- 1:2
- 2:4
- 4:3
- 3:5

**NEW QUESTION 134**

Refer to the exhibit.

```
Gateway of last resort is 10.12.0.1 to network 0.0.0.0

O*E2 0.0.0.0/0 [110/1] via 10.12.0.1, 00:00:01, GigabitEthernet0/0
  10.0.0.0/8 is variably subnetted, 2 subnets, 2 masks
C 10.0.0.0/24 is directly connected, GigabitEthernet0/0
L 10.0.0.2/32 is directly connected, GigabitEthernet0/0
C 10.13.0.0/24 is directly connected, GigabitEthernet0/1
L 10.13.0.2/32 is directly connected, GigabitEthernet0/1
```

If configuring a static default route on the router with the ip route 0.0.0.0 0.0.0.0 10.13.0.1 120 command how does the router respond?

- A. It ignores the new static route until the existing OSPF default route is removed
- B. It immediately replaces the existing OSPF route in the routing table with the newly configured static route
- C. It starts load-balancing traffic between the two default routes
- D. It starts sending traffic without a specific matching entry in the routing table to GigabitEthernet0/1

**Answer:** D

**NEW QUESTION 135**

Which statement about Link Aggregation when implemented on a Cisco Wireless LAN Controller is true?

- A. To pass client traffic two or more ports must be configured.
- B. The EtherChannel must be configured in "mode active"
- C. When enabled the WLC bandwidth drops to 500 Mbps
- D. One functional physical port is needed to pass client traffic

**Answer:** C

**NEW QUESTION 137**

When configuring a WLAN with WPA2 PSK in the Cisco Wireless LAN Controller GUI, which two formats are available to select? (Choose two)

- A. ASCII
- B. base64
- C. binary
- D. decimal
- E. hexadecimal

**Answer:** AE

**NEW QUESTION 142**

.....

## Thank You for Trying Our Product

### We offer two products:

1st - We have Practice Tests Software with Actual Exam Questions

2nd - Questions and Answers in PDF Format

### 200-301 Practice Exam Features:

- \* 200-301 Questions and Answers Updated Frequently
- \* 200-301 Practice Questions Verified by Expert Senior Certified Staff
- \* 200-301 Most Realistic Questions that Guarantee you a Pass on Your First Try
- \* 200-301 Practice Test Questions in Multiple Choice Formats and Updates for 1 Year

**100% Actual & Verified — Instant Download, Please Click**  
[Order The 200-301 Practice Test Here](#)