



Cisco

Exam Questions 200-301

Cisco Certified Network Associate

About ExamBible

Your Partner of IT Exam

Found in 1998

ExamBible is a company specialized on providing high quality IT exam practice study materials, especially Cisco CCNA, CCDA, CCNP, CCIE, Checkpoint CCSE, CompTIA A+, Network+ certification practice exams and so on. We guarantee that the candidates will not only pass any IT exam at the first attempt but also get profound understanding about the certificates they have got. There are so many alike companies in this industry, however, ExamBible has its unique advantages that other companies could not achieve.

Our Advances

* 99.9% Uptime

All examinations will be up to date.

* 24/7 Quality Support

We will provide service round the clock.

* 100% Pass Rate

Our guarantee that you will pass the exam.

* Unique Gurantee

If you do not pass the exam at the first time, we will not only arrange FULL REFUND for you, but also provide you another exam of your claim, ABSOLUTELY FREE!

NEW QUESTION 1

Which design element is a best practice when deploying an 802.11b wireless infrastructure?

- A. disabling TPC so that access points can negotiate signal levels with their attached wireless devices.
- B. setting the maximum data rate to 54 Mbps on the Cisco Wireless LAN Controller
- C. allocating nonoverlapping channels to access points that are in close physical proximity to one another
- D. configuring access points to provide clients with a maximum of 5 Mbps

Answer: C

NEW QUESTION 2

Which two capacities of Cisco DNA Center make it more extensible? (Choose two)

- A. adapters that support all families of Cisco IOS software
- B. SDKs that support interaction with third-party network equipment
- C. customized versions for small, medium, and large enterprises
- D. REST APIs that allow for external applications to interact natively with Cisco DNA Center
- E. modular design that is upgradable as needed

Answer: BD

NEW QUESTION 3

Which type of wireless encryption is used for WPA2 in preshared key mode?

- A. TKIP with RC4
- B. RC4
- C. AES-128
- D. AES-256

Answer: D

NEW QUESTION 4

Which two must be met before SSH can operate normally on a Cisco IOS switch? (Choose two)

- A. The switch must be running a k9 (crypto) IOS image
- B. The Ip domain-name command must be configured on the switch
- C. IP routing must be enabled on the switch
- D. A console password must be configured on the switch
- E. Telnet must be disabled on the switch

Answer: BC

NEW QUESTION 5

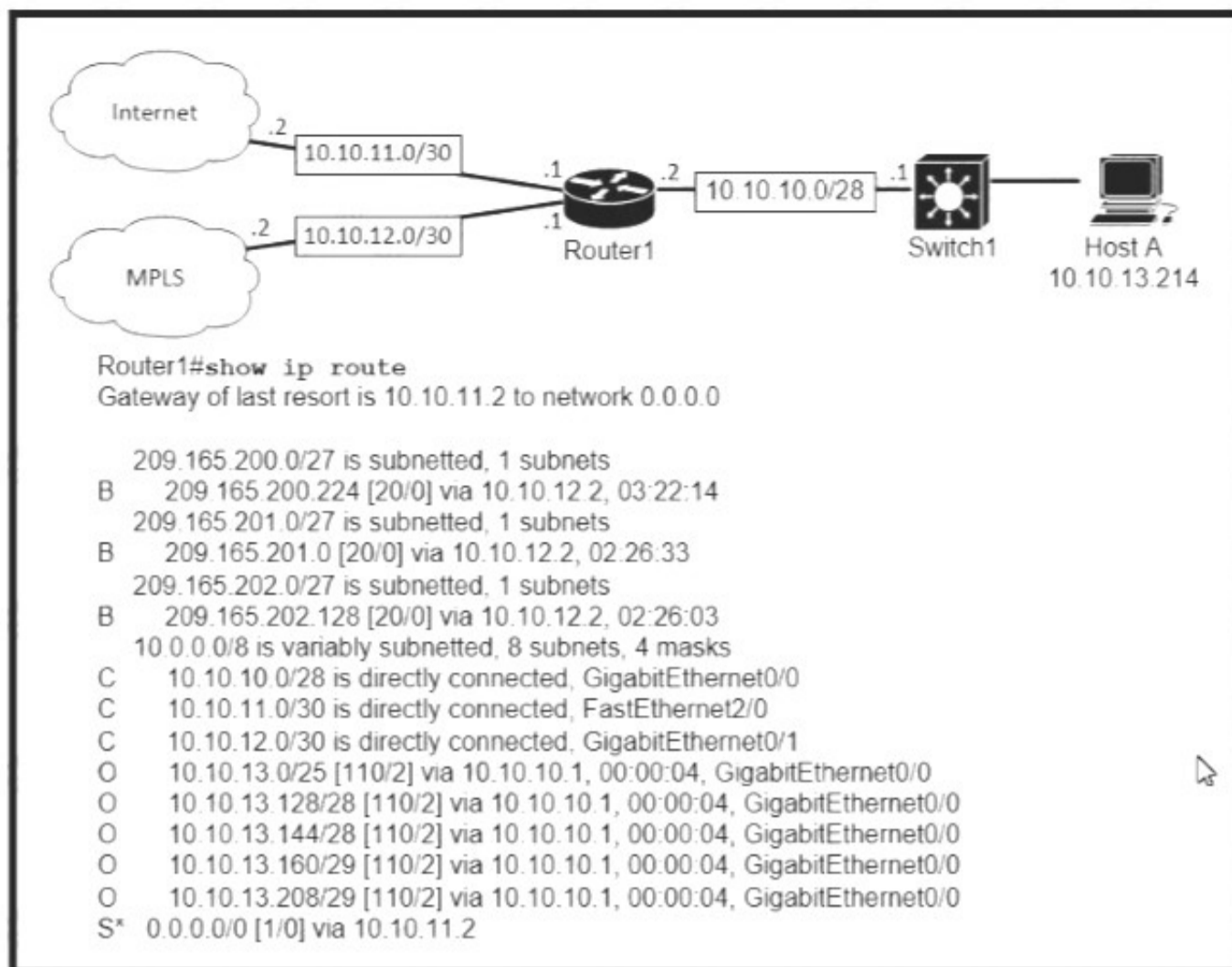
Which type of address is the public IP address of a NAT device?

- A. outside global
- B. outsdwde local
- C. inside global
- D. insride local
- E. outside public
- F. inside public

Answer: C

NEW QUESTION 6

Refer to the exhibit.



Which prefix does Router 1 use for traffic to Host A?

- A. 10.10.10.0/28
- B. 10.10.13.0/25
- C. 10.10.13.144/28
- D. 10.10.13.208/29

Answer: C

NEW QUESTION 7

Which two actions are performed by the Weighted Random Early Detection mechanism? (Choose two)

- A. It drops lower-priority packets before it drops higher-priority packets
- B. It can identify different flows with a high level of granularity
- C. It guarantees the delivery of high-priority packets
- D. It can mitigate congestion by preventing the queue from filling up
- E. IT supports protocol discovery

Answer: BD

NEW QUESTION 8

A frame that enters a switch fails the Frame Check Sequence. Which two interface counters are incremented? (Choose two)

- A. runts
- B. giants
- C. frame
- D. CRC
- E. input errors

Answer: DE

NEW QUESTION 9

A Cisco IP phone receive untagged data traffic from an attached PC. Which action is taken by the phone?

- A. It allows the traffic to pass through unchanged
- B. It drops the traffic
- C. It tags the traffic with the default VLAN
- D. It tags the traffic with the native VLAN

Answer: C

NEW QUESTION 10

What are two characteristics of a controller-based network? (Choose two)

- A. The administrator can make configuration updates from the CLI
- B. It uses northbound and southbound APIs to communicate between architectural layers
- C. It moves the control plane to a central point.
- D. It decentralizes the control plane, which allows each device to make its own forwarding decisions

E. It uses Telnet to report system issues.

Answer: AC

NEW QUESTION 10

Refer to the exhibit.

```
R1# show ip route
D    192.168.16.0/26 [90/2679326] via 192.168.1.1
R    192.168.16.0/24 [120/3] via 192.168.1.2
O    192.168.16.0/21 [110/2] via 192.168.1.3
i L1 192.168.16.0/27 [115/30] via 192.168.1.4
```

Which route does R1 select for traffic that is destined to 192.168.16.2?

- A. A.-192.168.16.0/21 B. 192.168.16.0/24 C. 192.168.16.0/26 D. 192.168.16.0/27

Answer: B

NEW QUESTION 15

Which two actions influence the EIGRP route selection process? (Choose two)

- A. The router calculates the reported distance by multiplying the delay on the exiting Interface by 256.
- B. The router calculates the best backup path to the destination route and assigns it as the feasible successor.
- C. The router calculates the feasible distance of all paths to the destination route
- D. The advertised distance is calculated by a downstream neighbor to inform the local router of the bandwidth on the link
- E. The router must use the advertised distance as the metric for any given route

Answer: AD

NEW QUESTION 17

Which feature on the Cisco Wireless LAN Controller when enabled restricts management access from specific networks?

- A. CPUACL
- B. TACACS
- C. Flex ACL
- D. RADIUS

Answer: B

NEW QUESTION 20

Which command automatically generates an IPv6 address from a specified IPv6 prefix and MAC address of an interface?

- A. ipv6 address dhcp
- B. ipv6 address 2001:DB8:5:112::/64 eui-64
- C. ipv6 address autoconfig
- D. ipv6 address 2001:DB8:5:112::2/64 link-local

Answer: C

NEW QUESTION 22

Which 802.11 frame type is association response?

- A. management
- B. protected frame
- C. control
- D. action

Answer: B

NEW QUESTION 23

Which two tasks must be performed to configure NTP to a trusted server in client mode on a single network device? (Choose two)

- A. Enable NTP authentication.
- B. Verify the time zone.
- C. Disable NTP broadcasts
- D. Specify the IP address of the NTP server
- E. Set the NTP server private key

Answer: DE

NEW QUESTION 27

Refer to exhibit.

```
Router(config)#interface GigabitEthernet 1/0/1
Router(config-if)#ip address 192.168.16.143 255.255.255.240
Bad mask /28 for address 192.168.16.143
```

Which statement explains the configuration error message that is received?

- A. It is a broadcast IP address
- B. The router does not support /28 mask.
- C. It belongs to a private IP address range.
- D. IT is a network IP address.

Answer: A

NEW QUESTION 32

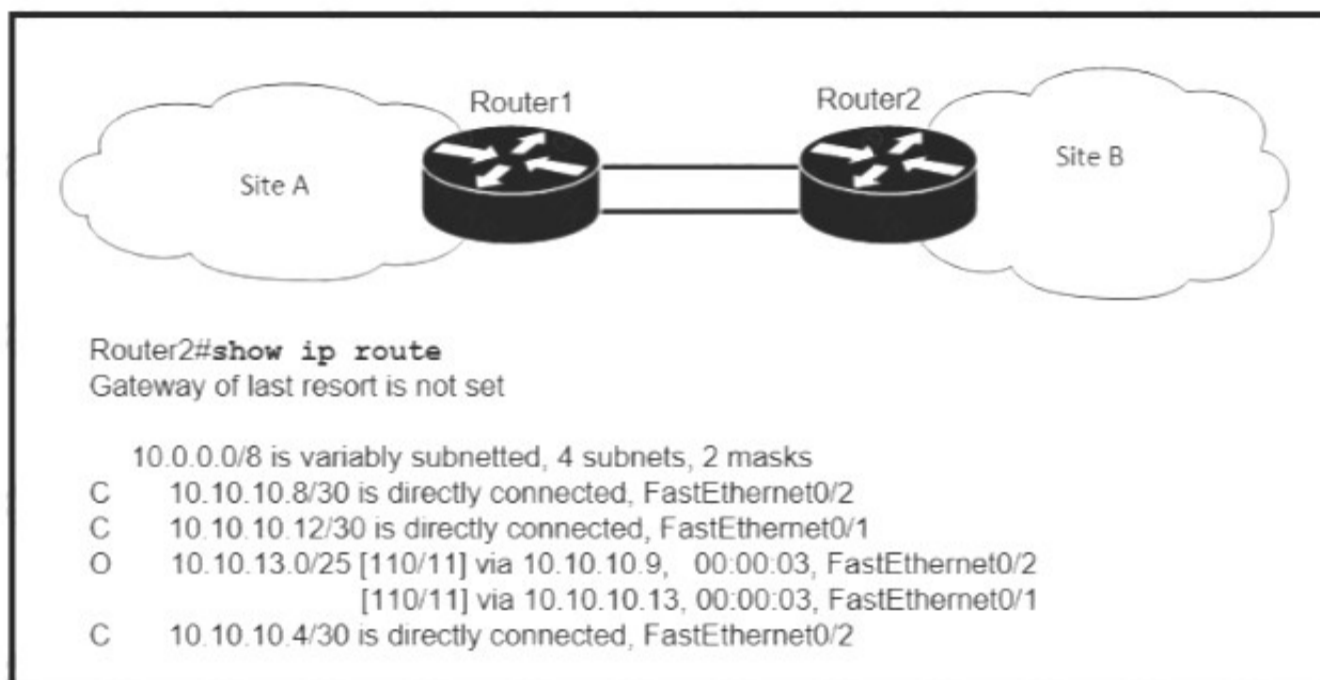
When a floating static route is configured, which action ensures that the backup route is used when the primary route fails?

- A. The floating static route must have a higher administrative distance than the primary route so it is used as a backup
- B. The administrative distance must be higher on the primary route so that the backup route becomes secondary.
- C. The floating static route must have a lower administrative distance than the primary route so it is used as a backup
- D. The default-information originate command must be configured for the route to be installed into the routing table

Answer: A

NEW QUESTION 33

Refer to the exhibit.



If OSPF is running on this network, how does Router 2 handle traffic from Site B to 10.10.13/25 at Site A?

- A. It sends packets out of interface Fa0/2 only.
- B. It sends packets out of interface Fa0/1 only.
- C. It cannot send packets to 10.10.13 128/25
- D. It load-balances traffic out of Fa0/1 and Fa0/2

Answer: D

NEW QUESTION 35

Drag drop the descriptions from the left onto the correct configuration-management technologies on the right.

- fundamental configuration elements are stored in a manifest
- uses TCP port 10002 for configuration push jobs
- uses Ruby for fundamental configuration elements
- uses SSH for remote device communication
- uses TCP 8140 for communication
- uses YAML for fundamental configuration elements

- Ansible**
- -
- Chef**
- -
- Puppet**
- -

- A. Mastered
- B. Not Mastered

Answer: A

Explanation:

- fundamental configuration elements are stored in a manifest
- uses TCP port 10002 for configuration push jobs
- uses Ruby for fundamental configuration elements
- uses SSH for remote device communication
- uses TCP 8140 for communication
- uses YAML for fundamental configuration elements

- Ansible**
- uses TCP port 10002 for configuration push jobs
 - uses TCP 8140 for communication
- Chef**
- uses Ruby for fundamental configuration elements
 - uses SSH for remote device communication
- Puppet**
- uses YAML for fundamental configuration elements
 - fundamental configuration elements are stored in a manifest

NEW QUESTION 38

A router running EIGRP has learned the same route from two different paths Which parameter does the router use to select the best path?

- A. cost
- B. administrative distance
- C. metric
- D. as-path

Answer: C

NEW QUESTION 43

Which statement correctly compares traditional networks and controller-based networks?

- A. Only traditional networks offer a centralized control plane
- B. Only traditional networks natively support centralized management
- C. Traditional and controller-based networks abstract policies from device configurations
- D. Only controller-based networks decouple the control plane and the data plane

Answer: C

NEW QUESTION 48

Refer to the exhibit.

```
R1# show ip route | begin gateway
Gateway of last resort is 209.165.200.246 to network 0.0.0.0
S* 0.0.0.0/0 [1/0] via 209.165.200.246, Serial0/1/0
   is directly connected, Serial0/1/0
   172.16.0.0/16 is variably subnetted, 3 subnets, 3 masks
S   172.16.0.0/24 [1/0] via 207.165.200.250, Serial0/0/0
O   172.16.0.128/25 [110/38443] via 207.165.200.254, 00:00:23, Serial0/0/1
D   172.16.0.192/29 [90/3184439] via 207.165.200.254, 00:00:25, Serial0/0/1
   209.165.200.0/24 is variably subnetted, 4 subnets, 2 masks
C   209.165.200.248/30 is directly connected, Serial0/0/0
L   209.165.200.249/32 is directly connected, Serial0/0/0
C   209.165.200.252/30 is directly connected, Serial0/0/1
L   209.165.200.253/32 is directly connected, Serial0/0/1
```

With which metric was the route to host 172.16.0.202 learned?

- A. 110
- B. 38443
- C. 3184439

Answer: C

NEW QUESTION 53

Drag and drop the WLAN components from the left onto the correct descriptions on the right.

access point	
virtual interface	
dynamic interface	
service port	
wireless LAN controller	

- A. Mastered
- B. Not Mastered

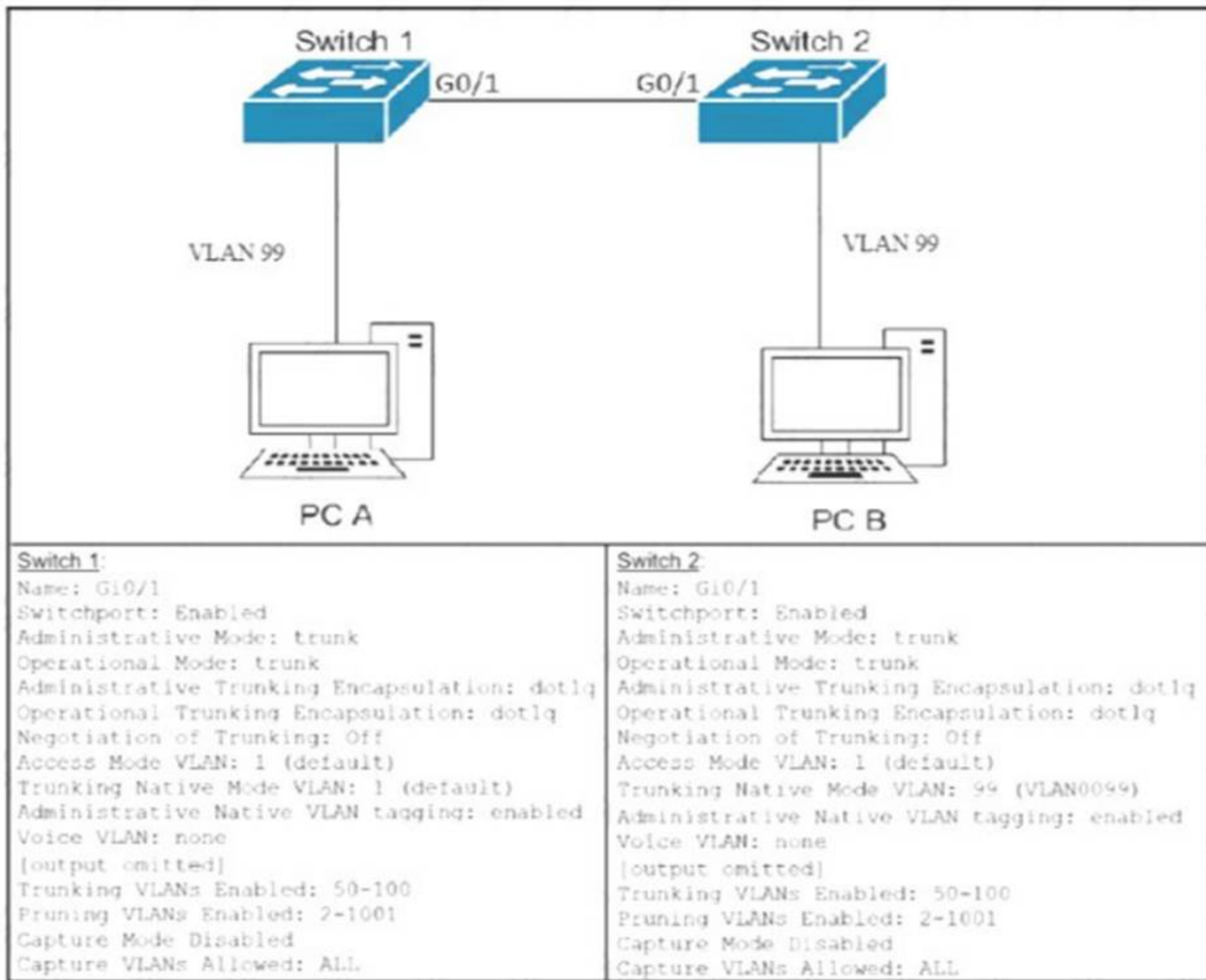
Answer: A

Explanation:

- 5:1
- 1:2
- 2:4
- 4:3
- 3:5

NEW QUESTION 57

Refer to the Exhibit.



After the switch configuration the ping test fails between PC A and PC B Based on the output for switch 1. which error must be corrected?

- A. There is a native VLAN mismatch
- B. Access mode is configured on the switch ports.
- C. The PCs are in the incorrect VLAN
- D. All VLANs are not enabled on the trunk

Answer: A

NEW QUESTION 61

Which statement about Link Aggregation when implemented on a Cisco Wireless LAN Controller is true?

- A. To pass client traffic two or more ports must be configured.
- B. The EtherChannel must be configured in "mode active"
- C. When enabled the WLC bandwidth drops to 500 Mbps
- D. One functional physical port is needed to pass client traffic

Answer: C

NEW QUESTION 64

Which API is used in controller-based architectures to interact with edge devices?

- A. overlay
- B. northbound
- C. underlay
- D. southbound

Answer: D

NEW QUESTION 66

.....

Relate Links

100% Pass Your 200-301 Exam with Exam Bible Prep Materials

<https://www.exambible.com/200-301-exam/>

Contact us

We are proud of our high-quality customer service, which serves you around the clock 24/7.

Viste - <https://www.exambible.com/>