

Exam Questions FCSS_EFW_AD-7.6

FCSS - Enterprise Firewall 7.6 Administrator

https://www.2passeasy.com/dumps/FCSS_EFW_AD-7.6/



NEW QUESTION 1

A company's users on an IPsec VPN between FortiGate A and B have experienced intermittent issues since implementing VXLAN. The administrator suspects that packets exceeding the 1500-byte default MTU are causing the problems.

In which situation would adjusting the interface's maximum MTU value help resolve issues caused by protocols that add extra headers to IP packets?

- A. Adjust the MTU on interfaces only if FortiGate has the FortiGuard enterprise bundle, which allows MTU modification.
- B. Adjust the MTU on interfaces in all FortiGate devices that support the latest family of Fortinet SPUs: NP7, CP9 and SP5.
- C. Adjust the MTU on interfaces in controlled environments where all devices along the path allow MTU interface changes.
- D. Adjust the MTU on interfaces only in wired connections like PPPoE, optic fiber, and ethernet cable.

Answer: C

NEW QUESTION 2

Refer to the exhibit, which shows a partial troubleshooting command output.

```
FortiGate # diagnose vpn tunnel list name Hub2Spoke1
list ipsec tunnel by names in vd 0
...
npu_flag=20 npu_rgwy=10.10.2.2 npu_lgwy=10.10.1.1 npu_selid=1
```

An administrator is extensively using IPsec on FortiGate. Many tunnels show information similar to the output shown in the exhibit. What can the administrator conclude?

- A. IPsec SAs cannot be offloaded.
- B. The two IPsec SAs, inbound and outbound, are copied to the NPU.
- C. Only the outbound IPsec SA is copied to the NPU.
- D. Only the inbound IPsec SA is copied to the NPU.

Answer: B

NEW QUESTION 3

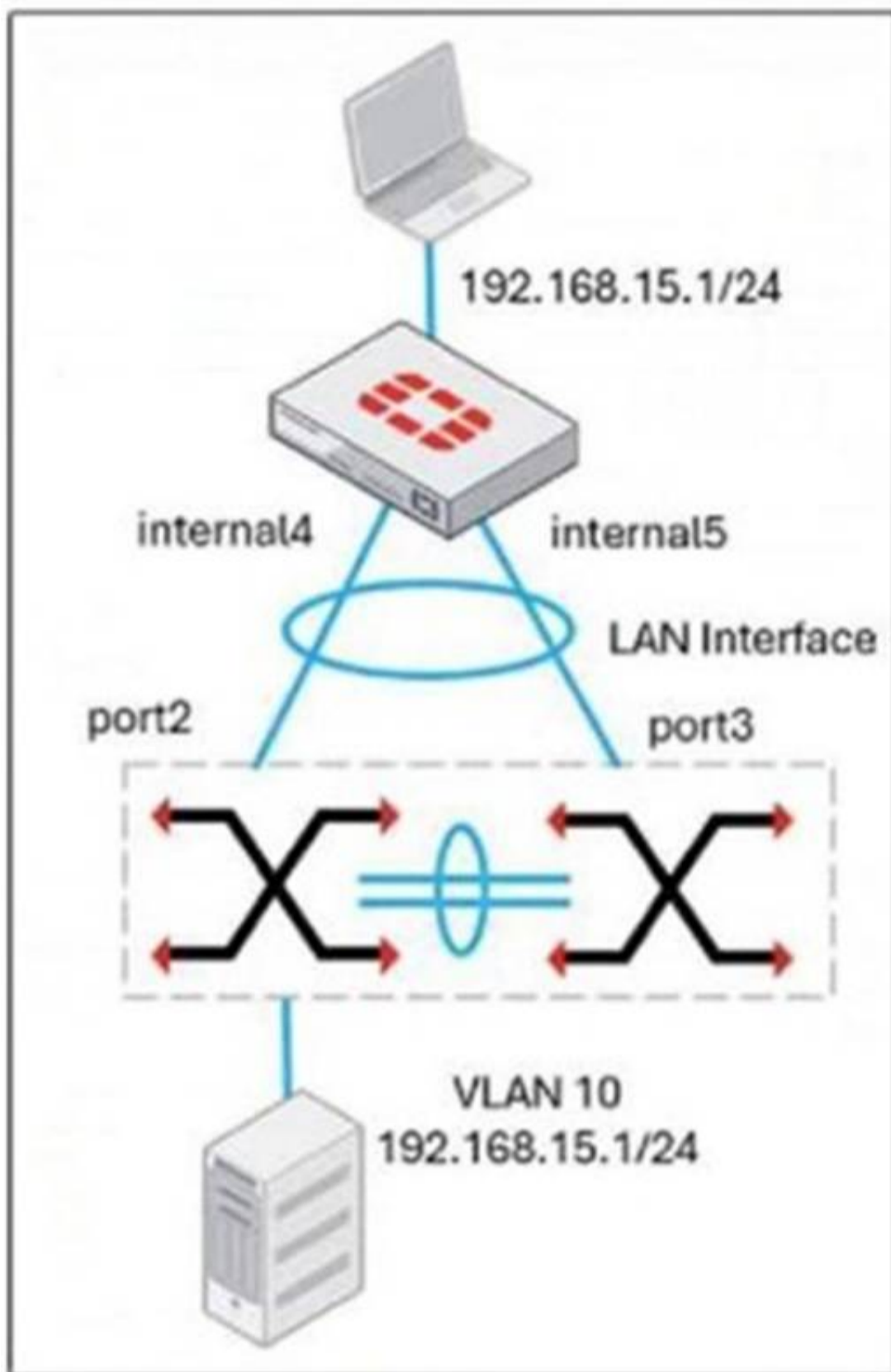
The IT department discovered during the last network migration that all zero phase selectors in phase 2 IPsec configurations impacted network operations. What are two valid approaches to prevent this during future migrations? (Choose two.)

- A. Use routing protocols to specify allowed subnets over the tunnel.
- B. Configure an IPsec-aggregate to create redundancy between each firewall peer.
- C. Clearly indicate to the VPN which segments will be encrypted in the phase two selectors.
- D. Configure an IP address on the IPsec interface of each firewall to establish unique peer connections and avoid impacting network operations.

Answer: AC

NEW QUESTION 4

Refer to the exhibit, which shows a LAN interface connected from FortiGate to two FortiSwitch devices.



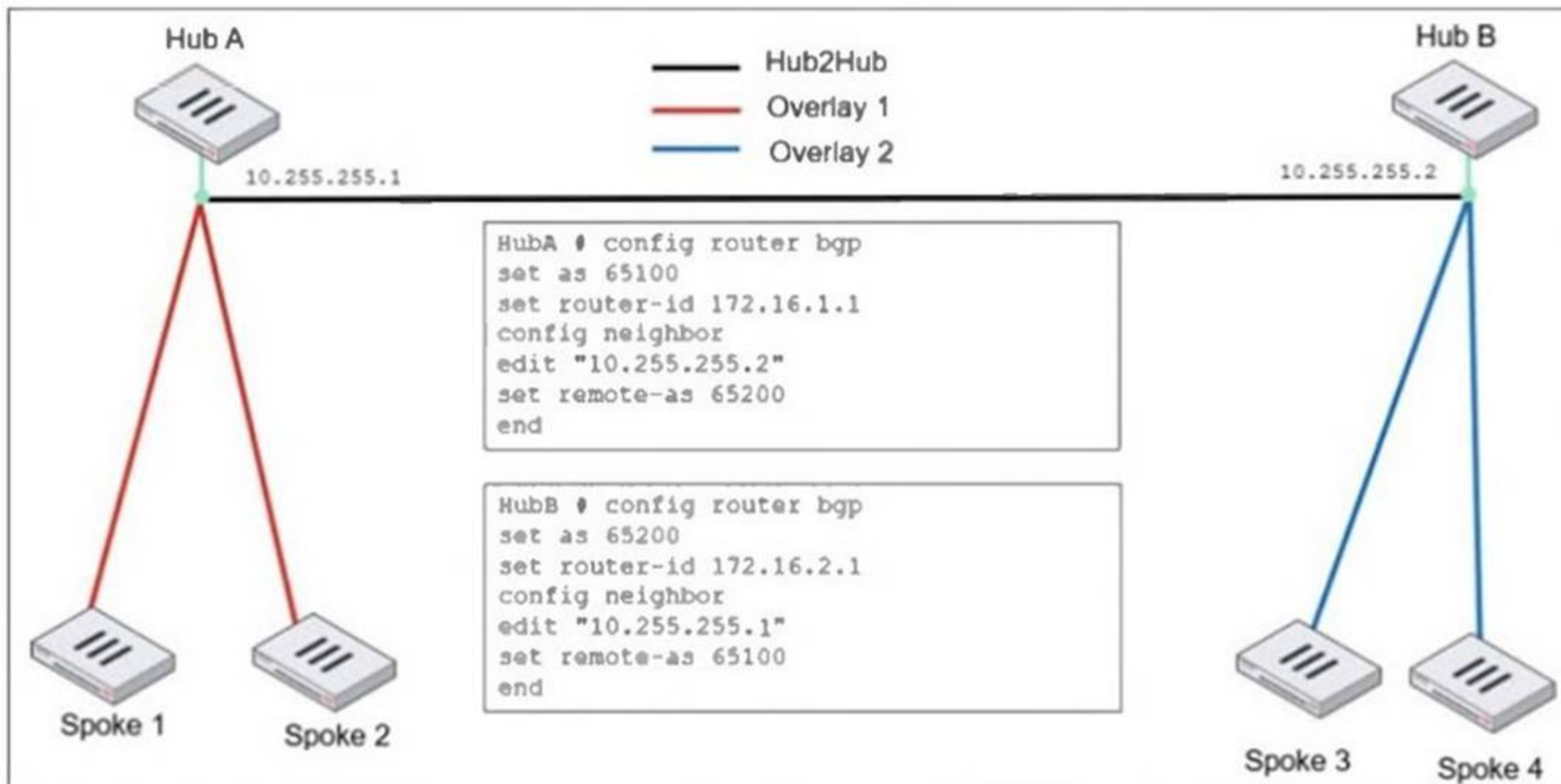
What two conclusions can you draw from the corresponding LAN interface? (Choose two.)

- A. You must enable STP or RSTP on FortiGate and FortiSwitch to avoid layer 2 loopbacks.
- B. The LAN interface must use a 802.3ad type interface.
- C. This connection is using a FortiLink to manage VLANs on FortiGate.
- D. FortiGate is using an SD-WAN-type interface to connect to a FortiSwitch device with MCLAG.

Answer: BC

NEW QUESTION 5

Refer to the exhibit, which shows an ADVPN network



An administrator must configure an ADVPN using IBGP and EBGP to connect overlay network 1 with 2. What two options must the administrator configure in BGP? (Choose two.)

- A. set ebgp-enforce-multihop enable
- B. set next-hop-self enable
- C. set ibgp-enforce-multihop advpn
- D. set attribute-unchanged next-hop

Answer: AB

NEW QUESTION 6

An administrator must enable direct communication between multiple spokes in a company's network. Each spoke has more than one internet connection. The requirement is for the spokes to connect directly without passing through the hub, and for the links to automatically switch to the best available connection. How can this automatic detection and optimal link utilization between spokes be achieved?

- A. Set up OSPF routing over static VPN tunnels between spokes.
- B. Utilize ADVPN 2.0 to facilitate dynamic direct tunnels and automatic link optimization.
- C. Establish static VPN tunnels between spokes with predefined backup routes.
- D. Implement SD-WAN policies at the hub to manage spoke link quality.

Answer: B

NEW QUESTION 7

An administrator is checking an enterprise network and sees a suspicious packet with the MAC address e0:23:ff:fc:00:86. What two conclusions can the administrator draw? (Choose two.)

- A. The suspicious packet is related to a cluster that has VDOMs enabled.
- B. The network includes FortiGate devices configured with the FGSP protocol.
- C. The suspicious packet is related to a cluster with a group-id value lower than 255.
- D. The suspicious packet corresponds to port 7 on a FortiGate device.

Answer: AC

NEW QUESTION 8

An administrator is setting up an ADVPN configuration and wants to ensure that peer IDs are not exposed during VPN establishment. Which protocol can the administrator use to enhance security?

- A. Use IKEv2, which encrypts peer IDs and prevents exposure.
- B. Opt for SSL VPN web mode because it does not use peer IDs at all.
- C. Choose IKEv1 aggressive mode because it simplifies peer identification.
- D. Stick with IKEv1 main mode because it offers better performance.

Answer: A

NEW QUESTION 9

Refer to the exhibit, which contains the partial output of an OSPF command.

```

FortiGate # get router info ospf status
Routing Process "ospf 0" with ID 0.0.0.5
Process uptime is 0 minute
Process bound to VRF default
Conforms to RFC2328, and RFC1583Compatibility flag is enabled
Supports only single TOS(TOS0) routes
Supports opaque LSA
Do not support Restarting
This router is an ABR
    
```

An administrator is checking the OSPF status of a FortiGate device and receives the output shown in the exhibit. What two conclusions can the administrator draw? (Choose two.)

- A. The FortiGate device is a backup designated router
- B. The FortiGate device is connected to multiple areas
- C. The FortiGate device injects external routing information
- D. The FortiGate device has OSPF ECMP enabled

Answer: BC

NEW QUESTION 10

What is the initial step performed by FortiGate when handling the first packets of a session?

- A. Installation of the session key in the network processor (NP)
- B. Data encryption and decryption
- C. Security inspections such as ACL, HPE, and IP integrity header checking
- D. Offloading the packets directly to the content processor (CP)

Answer: C

NEW QUESTION 10

Refer to the exhibit, which shows a physical topology and a traffic log.



The administrator is checking on FortiAnalyzer traffic from the device with IP address 10.1.10.1, located behind the FortiGate ISFW device. The firewall policy in on the ISFW device does not have UTM enabled and the administrator is surprised to see a log with the action Malware, as shown in the exhibit.

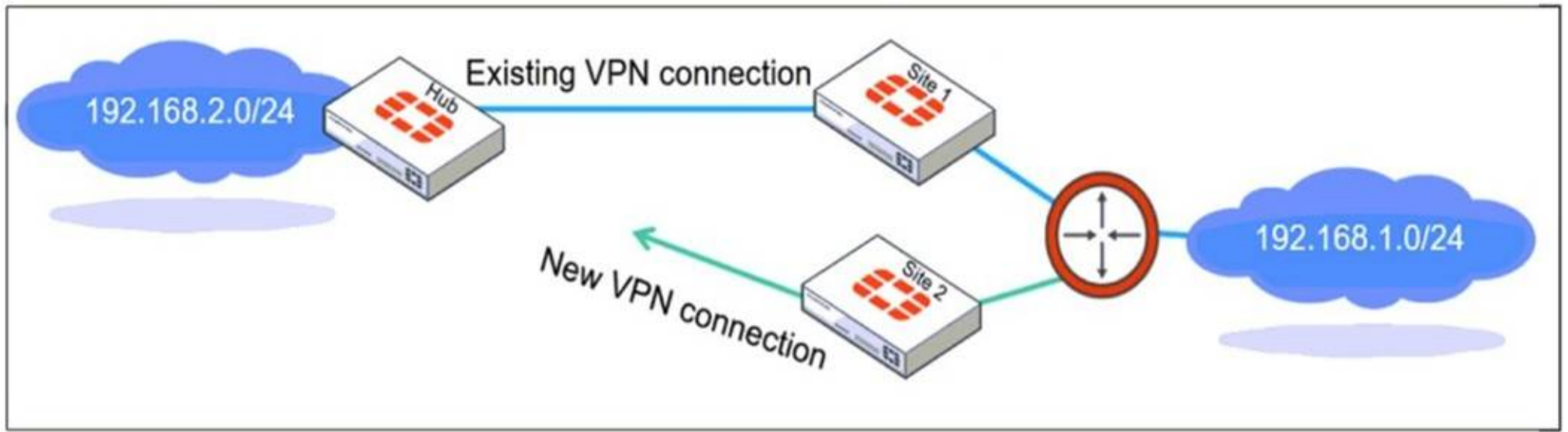
What are the two reasons FortiAnalyzer would display this log? (Choose two.)

- A. Security rating is enabled in ISFW.
- B. ISFW is in a Security Fabric environment.
- C. ISFW is not connected to FortiAnalyzer and must go through NGFW-1.
- D. The firewall policy in NGFW-1 has UTM enabled.

Answer: BD

NEW QUESTION 12

Refer to the exhibit, which shows a network diagram showing the addition of site 2 with an overlapping network segment to the existing VPN IPsec connection between the hub and site 1.



Which IPsec phase 2 configuration must an administrator make on the FortiGate hub to enable equal-cost multi-path (ECMP) routing when multiple remote sites connect with overlapping subnets?

- A. Set route-overlap to either use-new or use-old
- B. Set net-device to ecmp
- C. Set single-source to enable
- D. Set route-overlap to allow

Answer: A

NEW QUESTION 13

.....

THANKS FOR TRYING THE DEMO OF OUR PRODUCT

Visit Our Site to Purchase the Full Set of Actual FCSS_EFW_AD-7.6 Exam Questions With Answers.

We Also Provide Practice Exam Software That Simulates Real Exam Environment And Has Many Self-Assessment Features. Order the FCSS_EFW_AD-7.6 Product From:

https://www.2passeasy.com/dumps/FCSS_EFW_AD-7.6/

Money Back Guarantee

FCSS_EFW_AD-7.6 Practice Exam Features:

- * FCSS_EFW_AD-7.6 Questions and Answers Updated Frequently
- * FCSS_EFW_AD-7.6 Practice Questions Verified by Expert Senior Certified Staff
- * FCSS_EFW_AD-7.6 Most Realistic Questions that Guarantee you a Pass on Your FirstTry
- * FCSS_EFW_AD-7.6 Practice Test Questions in Multiple Choice Formats and Updatesfor 1 Year